

2. mega-fabs Israel Driver

Application for AC Servo Motor \ Linear Motor
 Instruct Control Model

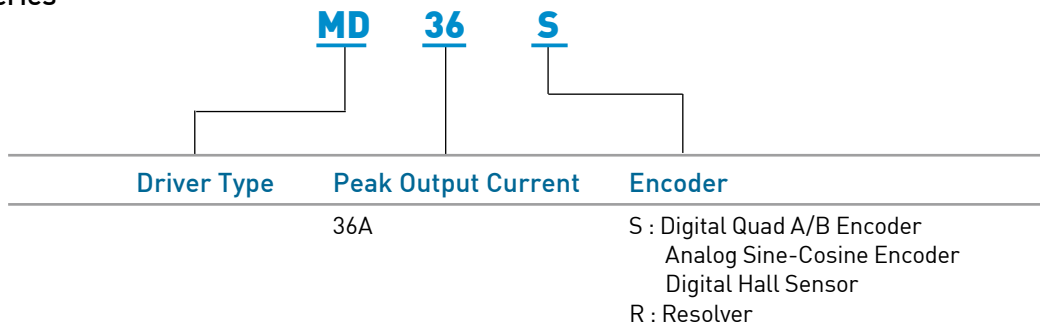
- Position, Speed, Torque

Input Type

- $\pm 10V$ analog instruct (Position /Speed/Torque)
- PWM instruct (Speed/Torque)
- Pulse model has electronic gear function
- I/O Digital signal



Drive Series



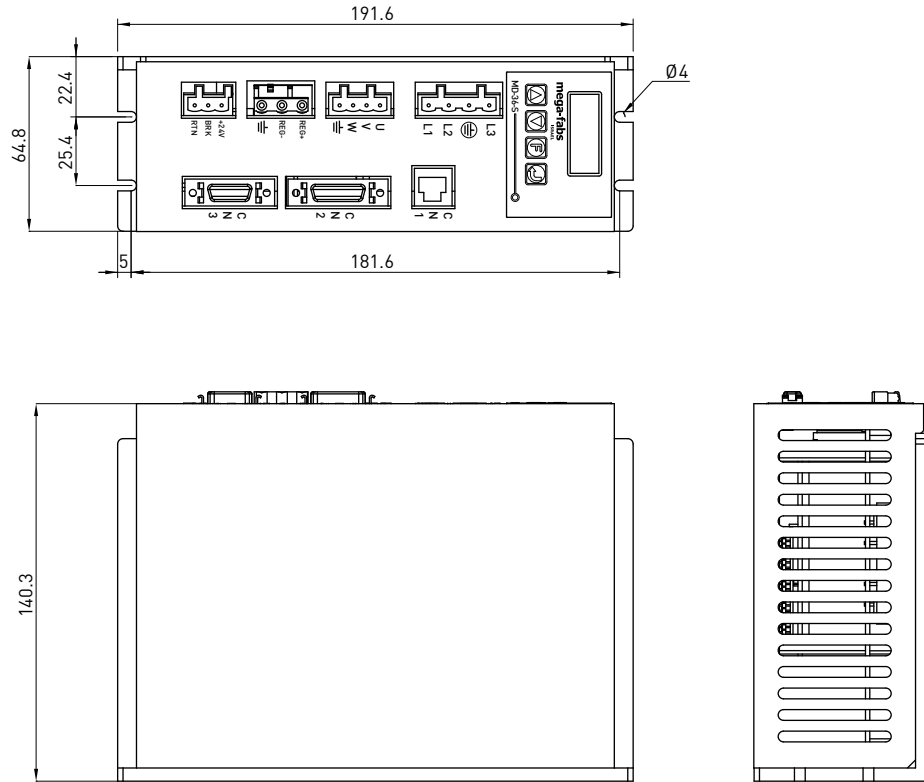
Application industry

- Faceplate Industry
- Semiconductor equipment
- PCB.AOI equipment
- Automation Industry

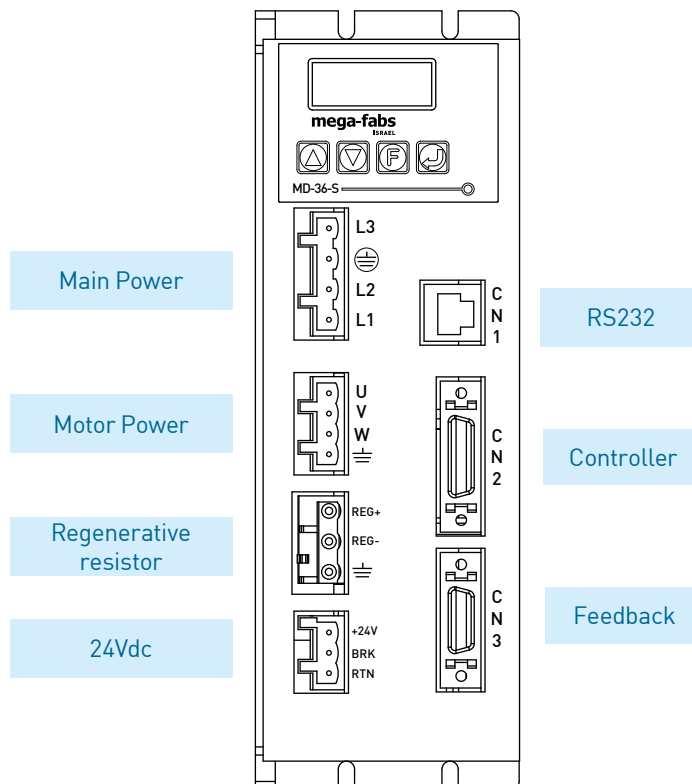
Specifications

Item	Driver	Specifications
Max pulse command bandwidth	Pulse Input	2M Pulse/s max.
	Quad A/B	8M Count/s max.
Encoder Signal	Digital	5V \pm 5% RS422
	Analog	1Vp-p (Sin/Cos)
DC power input (Control loop power)		24Vdc \pm 10%/1A
AC power output (Motor drive power)		100~240VAC \pm 10%, 50~60Hz/1&3 Phase
Digital input point		10 inputs(5Vdc)
Digital output point (Open Drain)		3 outputs(24VDC)
Dynamic brake output signal		DC 24V / 0.5A max.
Weight		1,250 g
Work temperature		0°C ~ 45°C
Store temperature		-20°C~ +85°C

Driver Size




Driver Interface

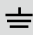


Wiring

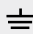
● MAIN POWER

Signal	PIN
Main Input L3	L3
Protective Ground	
Main Input L2	L2
Main Input L1	L1

● MOTOR OUTPUTS

Signal	PIN
Phase U	U
Phase V	V
Phase W	W
Cable Shield	

● REGEN RESISTOR

Signal	PIN
Frame GND	
No Connect	NC
REGEN Resistor (-)	REG-
No Connect	NC
REGEN Resistor(+)	REG+

● CN1 RS-232

Signal	PIN
No Connect	6
TxD_MAIN	5
Signal GND	4
Signal GND	3
RxD_MAIN	2
No Connect	1

● +24VDC & BRAKE

Signal	PIN
24V+	24V+
Brake Signal	BRK
24V+ Return	RTN

● CN2 CONTROL SIGNALS

Signal	PIN	Signal	PIN	Signal	PIN
Frame GND	1	P+/A+/CW+ [I9]	10	/B	19
Signal GND	2	D+/B+/CCW+ [I10]	11	Z	20
ENABLE [I1]	3	[I11]	12	/Z	21
[I2]	4	ALM [O1]	13	+5VE	22
[I3]	5	INPOSITION [O2]	14	Signal GND	23
POS LIMIT [N4]	6	[O3]	15	REF+	24
NEG LIMIT [I6]	7	A	16	REF-	25
P-/A-/CW- [I7]	8	/A	17	[I12]	26
D-/B-/CCW- [I8]	9	B	18		

● CN3 MOTOR FEEDBACKS

Signal	PIN	Signal	PIN	Signal	PIN
Frame GND	1	Z	8	Signal GND	15
Signal GND	2	/Z	9	SIN(+)	16
+5VDC	3	Signal GND	10	SIN(-)	17
A	4	HALL A	11	COS(+)	18
/A	5	HALL B	12	COS(-)	19
B	6	HALL C	13	Signal GND	20
/B	7	Motor Temp.[I5]	14		

● STATE

LED Color	State
RED	ERROR
GREEN	Servo Ready

Software

Name : Lightning

Apply : WINDOWS Series

Computer equipment :

- CPU:586 MHz over
- RAM:128 MB over
- RS-232 serial port or USB port with a USB to RS-232 adapter.

Software obtain information :

- CD Rom for produce
- <http://www.hiwinmikro.com.tw>

Driver Accessories

Name	Type	Description	Quantity
Driver Accessories Package (Without SCSI 20-PIN Connector)	D1-CK1	AC Main Power Connector	1
		Motor Power Connector	1
		Regenerative Resistor Connector	1
		DC24V Connector	1
		Control Signal Connector[CN2]	1
		Connector Tool	1
Driver Accessories Package (With SCSI 20-PIN Connector)	D1-CK2	AC Main Power Connector	1
		Motor Power Connector	1
		Regenerative Resistor Connector	1
		DC24V Connector	1
		Control Signal Connector[CN2]	1
		Feedback Connector[CN3]	1
EMC Accessories Package (Single-Phase)	D1-EMC1	Single-Phase Filter(FN2090-10-06)	1
		EMI Core KCF-130-B	2
EMC Accessories Package (Three-Phase)	D1-EMC2	Three-Phase Filter (FN3258-7-45)	1
		EMI Core KCF-130-B	2

AC Servo Motor Accessories

Name	Type	Connect	Description
Ⓐ RS-232 Cable	HE00LMACR21D	CN1	<p>9PIN (Female) Length: 2 m Driver Connect</p>
Ⓑ AC Servo Motor Power Cable	HV04FRACP□□A HV04FRACP□□B (flexible)	MOTOR OUTPUTS	<p>AMP 4Pin (Female) L±20 (L refer List A)</p>
Ⓒ AC Servo Motor Power Cable (Brake)	HV06FRACP□□A HV06FRACP□□B (flexible)	MOTOR OUTPUTS	<p>AMP 6Pin (Female) L±20 (L refer List A) Brake</p>
Ⓓ AC Servo Motor Encoder Cable	HV00FRACE□□A HV00FRACE□□B (flexible)	CN3	<p>AMP 9Pin (Female) SCSI 20Pin 公接頭 L±20 (L refer List A)</p>

List A

□□	30	50	70	A0
L (m)	3	5	7	10

Connect pins position

HV04FRACP□□A
HV04FRACP□□B

AC Servo Motor Power Cable Wiring Table

Signal	AMP 4Pin	Western-style post
U	3	U
V	2	V
W	1	W
≡	4	≡

HV06FRACP□□A
HV06FRACP□□B

AC Servo Motor Power Cable Wiring Table (Brake)

Signal	AMP 6Pin	Western-style post
U	3	U
V	2	V
W	1	W
≡	4	≡
B+	5	B+
B-	6	B-

HV00FRACE□□A
HV00FRACE□□B

AC Servo Motor Encoder Cable Wiring Table

Signal	AMP 9PIN	SCSI 20Pin (Male)
5V	1	3
0V	2	2
A+	3	4
A-	4	5
B+	5	6
B-	6	7
Z+	7	8
Z-	8	9
Shielding	9	1,20,shell